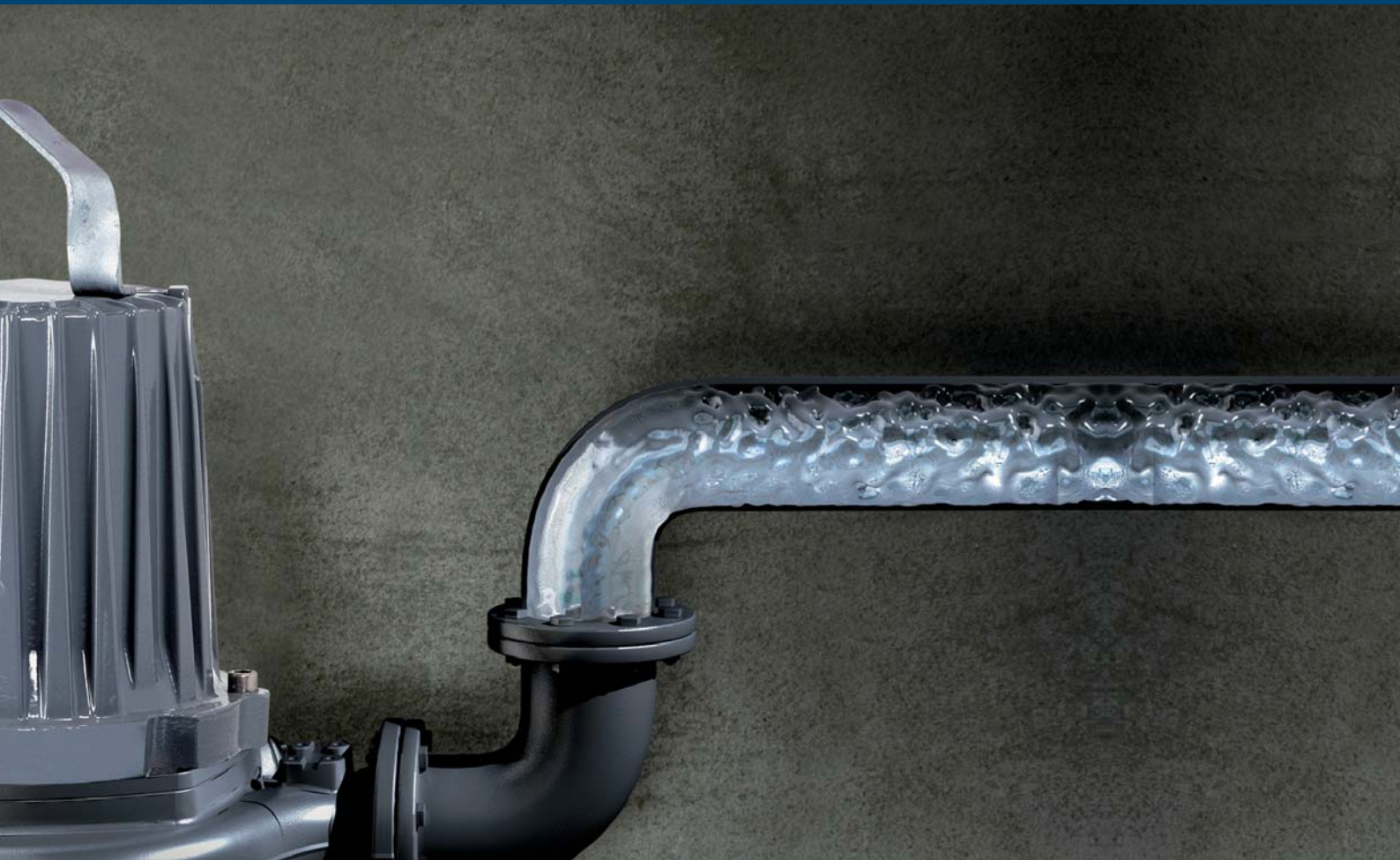




# ITT

## New Lowara wastewater solutions for building services



*Engineered for life*



ITT



## We take pride in keeping your operations moving every minute of every day

Wastewater is a demanding industry, requiring continuous performance – day in, day out. Lowara solutions meet these challenges, providing trusted service in tough conditions. We have a long tradition of innovation in pumping technology. And it's a tradition we're committed to continuing.

So we innovate, and we refine. As a result of this approach, we've been able to build optimized solutions for building services wastewater handling, whether it's commercial buildings, hospitals, hotels, industrial estates or airports.

Lowara wastewater solutions under ground ensure business as usual above ground.

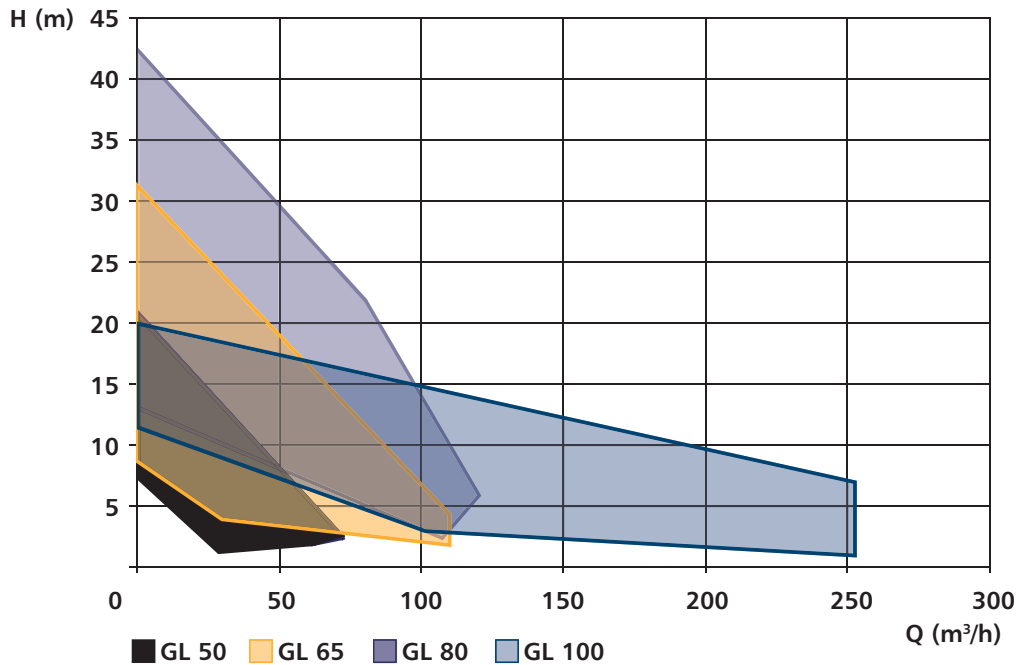
*Engineered for life*





# ITT

## GL series: pumping capacities up to 250 m<sup>3</sup>/h



## Product quality means attention to details

To make your life easy, we focus on reliability (non clogging, long life time, little down time) and with all necessary features incorporated and few options the selection process is easy too.

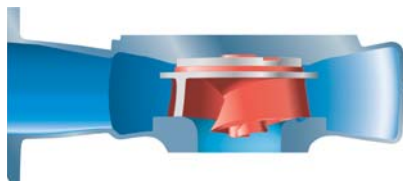
### Long life time:

- Class H motor with integrated thermal protection
- Explosion proof versions available
- Spin-out™ is patented design that protects the outer seal by expelling abrasive particles

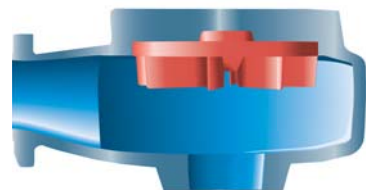
### Leakage free:

- Cable entry designed to incorporate both a seal and a strain relief function
- Two independently working mechanical seals: Designed, patented, and manufactured by ITT

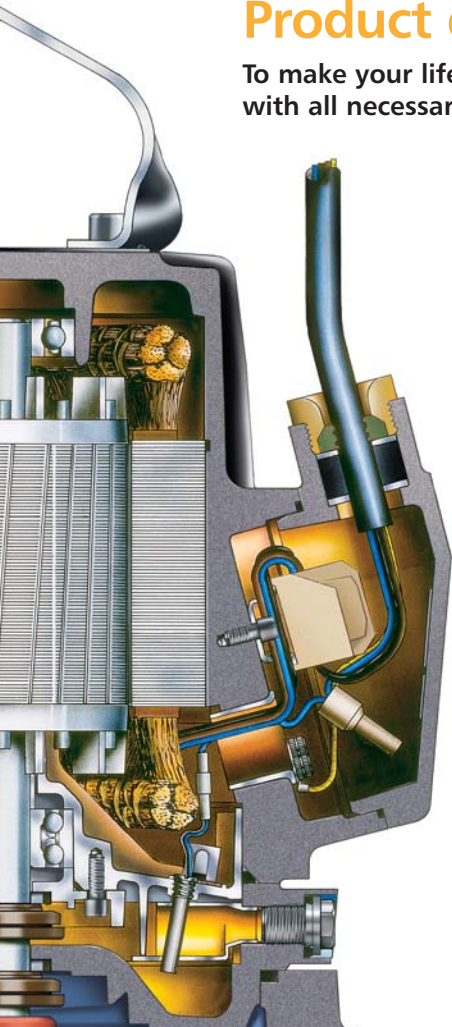
### Non clogging



**GLS Self-cleaning hydraulics**  
Self-cleaning maintains a high level of pumping efficiency, even in fluids with a high solids and fibrous content.



**GLV Vortex hydraulics**  
In low volume a vortex impeller is the better choice. A vortex impeller is also suitable in media which contains sand and other abrasive solids.





# ITT



## You will have a better working environment

Servicing residential pump stations can be a rather unpleasant experience. That's why we don't want you to put your hands in our tanks.

As a result of our long experience in wastewater handling, we focus on the reliability of our pumps and the easy maintenance and service of our pump stations. Of course we packaged it into our new pump station range.

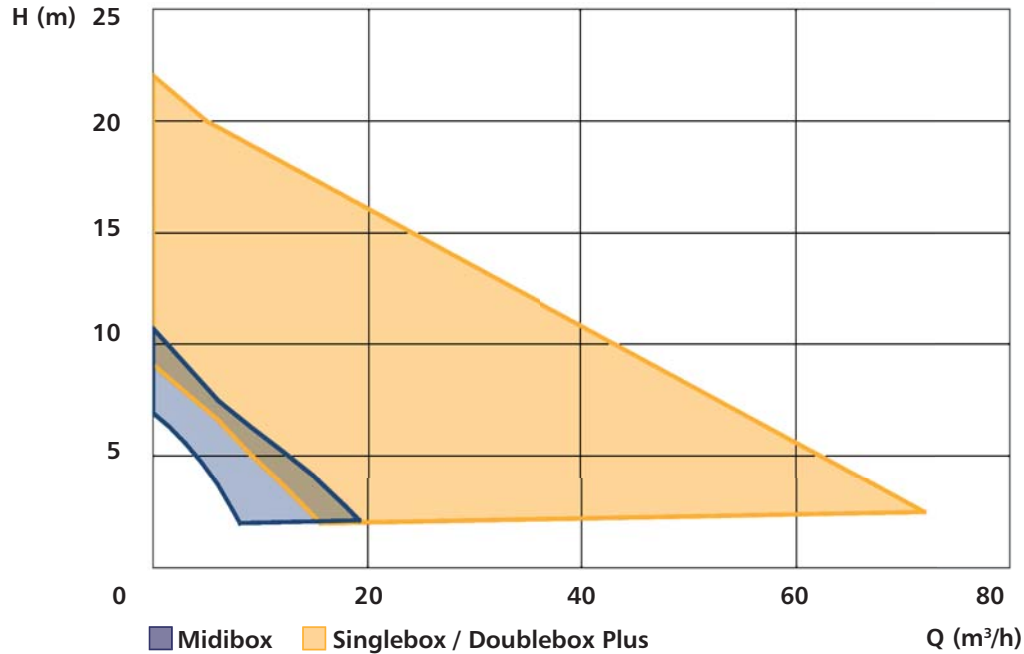
*Engineered for life*





# ITT

## Midibox - Singlebox Plus - Doublebox Plus: Performance field



### Technical data

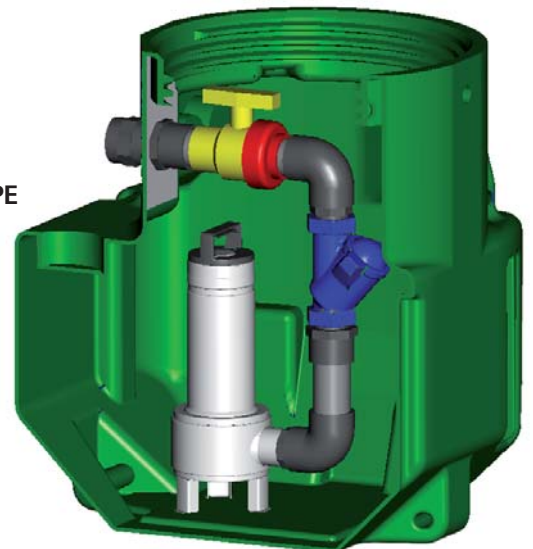
	Midibox	Singlebox Plus	Doublebox Plus
Effluent	●	●	●
Sewage		●	●
Volume	110 l	270 l	550 l
Number of pumps	1	1	2

### Pumps that fit

	Midibox	Singlebox Plus	Doublebox Plus
DOC	●		
DOMO	●	●	●
DL		●	●
GL 50		●	●

## Simple and easy solutions that always work

- Robust, odour-free design according to EN 12050; made of PE
- For indoor and outdoor installations
- Equipped with high performance wastewater pumps handling solids and fibers
- Complete, easy installed 'plug and pump' solution
- Easy maintenance, no hands in the tank
- Guide bar or fixed pipe installation
- Wide range to meet all needs





ITT

## Cut maintenance costs, boost reliability

Some pump stations can be a major headache with large, flat sump floors that encourage sediment build-up in the corners. They need routine cleaning and they are a safety hazard for personnel.

Our innovative, self-cleaning bottom design keeps solids in suspension, preventing the build-up of sediment collects. The floor area is much smaller than in standard sumps. This means that all sediment collects directly beneath the pump, where the suction is stronger. So it will reduce your maintenance costs and boost the reliability of a pump station.

A simple idea that really works.

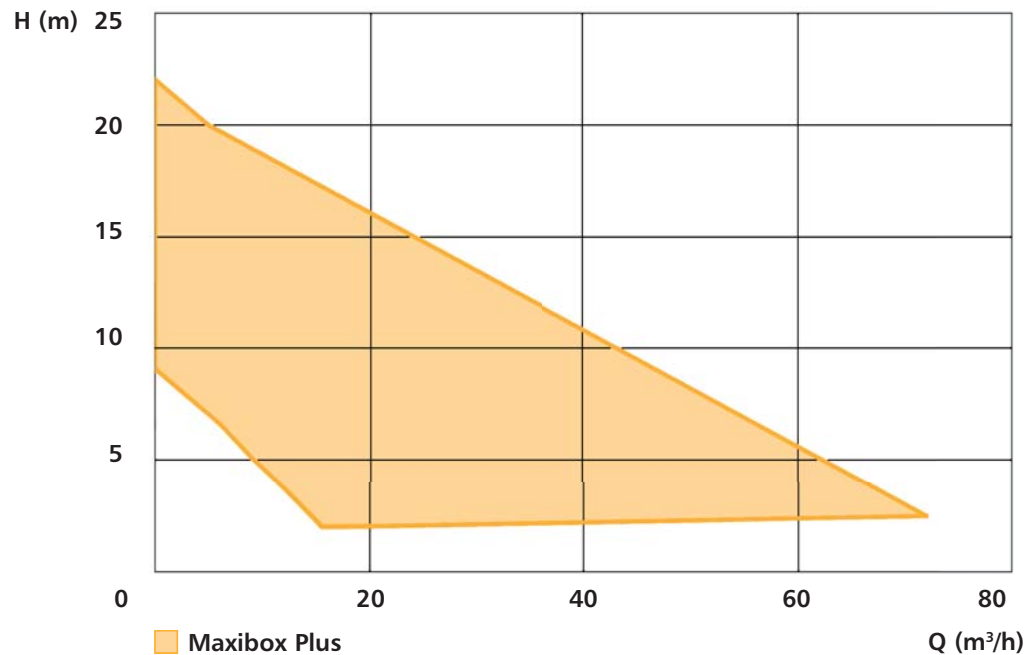
*Engineered for life*





# ITT

## Maxibox Plus: Performance field



## Technicalities that matter

### Flexibility

- Equipped with a large range of pumps
- Flexible inlet position: to be drilled on site

### Easy installation

- Extension available for an installation protected against frost
- Maxibox Plus is complete on delivery and ready for installation

### Safe and easy operation

- Robust tank, polyethylene, resistant to ground pressure, water table, chemicals
- According to EN12050-1
- Self-cleaning tank bottom that ensures minimal sedimentation

### Easy maintenance and service

- Screwed cover, lockable
- Easy pump maintenance thanks to the guide systems





# ITT

# Lowara

**ITT Lowara part of ITT Corporation and headquarters of "Residential and Commercial Water - EMEA".**

World leading in offering high reliable fluid handling solutions for Building Services, Irrigation and Industrial applications. We provide a complete range of high quality pumps, packaged systems and controls and are specialized in engineering and manufacturing stainless steel products.

ITT Lowara is headquartered in Vicenza, Italy and operates in more than 80 countries across the world with own plants in Italy, Austria, Poland and Hungary. The company has 1.300 employees and generated 2008 sales exceeding \$440 million. ITT Lowara is wholly owned by the ITT Corporation of White Plains, New York, and is the EMEA headquarter of ITT's Residential and Commercial Water division. ITT Corporation is a high-technology engineering and manufacturing company operating on all seven continents in three vital markets: water and fluids management, global defense and security, motion and flow control. ITT Corporation generated 2008 sales of \$11.7 billion

## ITT RESIDENTIAL AND COMMERCIAL WATER DIVISION - EMEA

### Headquarters

**LOWARA S.r.l. Unipersonale**  
Via Dott. Lombardi, 14  
36075 Montecchio Maggiore  
Vicenza - Italy  
Tel. (+39) 0444 707111  
Fax (+39) 0444 492166  
e-mail: [lowara.mkt@itt.com](mailto:lowara.mkt@itt.com)  
<http://www.lowara.com>

#### AUSTRIA

**ITT AUSTRIA GmbH**  
A-2000 STOCKERAU  
Ernst Vogel-Straße 2  
Tel. (+43) 02266 604  
Fax (+43) 02266 65311  
e-mail: [info.ittaustria@itt.com](mailto:info.ittaustria@itt.com)  
<http://www.ittaustria.com>

#### FRANCE

**ITT FRANCE**  
Parc de l'île  
29 rue du Port  
92022 Nanterre Cedex  
Tel. (+33) 02 47 88 17 17  
Fax (+33) 02 47 88 17 00  
e-mail: [lowarafr.info@itt.com](mailto:lowarafr.info@itt.com)  
<http://www.lowara.fr>

#### GERMANY

**ITT LOWARA DEUTSCHLAND GmbH**  
Biebigheimer Straße 12  
D-63762 Großostheim  
Tel. (+49) 0 60 26 9 43 - 0  
Fax (+49) 0 60 26 9 43 - 2 10  
e-mail: [info.lowarade@itt.com](mailto:info.lowarade@itt.com)  
<http://www.lowara.de>

#### IRELAND

**ITT IRELAND**  
50 Broomhill Close  
Airton Road  
Tallaght  
DUBLIN 24  
Tel. (+353) 01 4524444  
Fax (+353) 01 4524795  
e-mail: [lowara.ireland@itt.com](mailto:lowara.ireland@itt.com) -  
<http://www.lowara.ie>

#### NEDERLAND

**LOWARA NEDERLAND B.V.**  
Zandweistraat 22  
4181 CG Waardenburg  
Tel. (+31) 0418 65 50 60  
Fax (+31) 0418 65 50 61  
e-mail: [sales.nl@itt.com](mailto:sales.nl@itt.com)  
<http://www.lowara.nl>

#### POLAND

**LOWARA VOGEL POLSKA Sp. z o.o.**  
PL 57-100 Strzelin  
ul. Kazimierza Wielkiego 5  
Tel. (+48) 071 769 3900 - Fax (+48) 071 769 3909  
e-mail: [info.lowarapl@itt.com](mailto:info.lowarapl@itt.com) -  
<http://www.lowara-voegel.pl>

#### PORTUGAL

**ITT PORTUGAL, Lda**  
Praçeta da Castanheira, 38  
4475-019 Barca  
Tel. (+351) 22 9478550  
Fax (+351) 22 9478570  
e-mail: [info.pt@itt.com](mailto:info.pt@itt.com)  
<http://www.itt.pt>

#### RUSSIA

**LOWARA RUSSIA**  
Kalanchevskaya st. 11 b.2, off. 334  
107078 Moscow  
Tel. (+7) 495 631 55 15  
Fax (+7) 495 631 59 72  
[info.lowararu@itt.com](mailto:info.lowararu@itt.com) - [www.lowara.ru](http://www.lowara.ru)

#### UK

**LOWARA UK LTD.**  
Millwey Rise, Industrial Estate  
Axminster - Devon EX13 5HU UK  
Tel. (+44) 01297 630200  
Fax (+44) 01297 630270  
e-mail: [lowaraukenquiries@itt.com](mailto:lowaraukenquiries@itt.com)  
<http://www.lowara.co.uk>

For additional addresses, please visit  
[www.lowara.com](http://www.lowara.com)

cod. 191004501 P 03/10

*Lowara reserves the right to make modifications  
without prior notice.*

*Engineered for life*