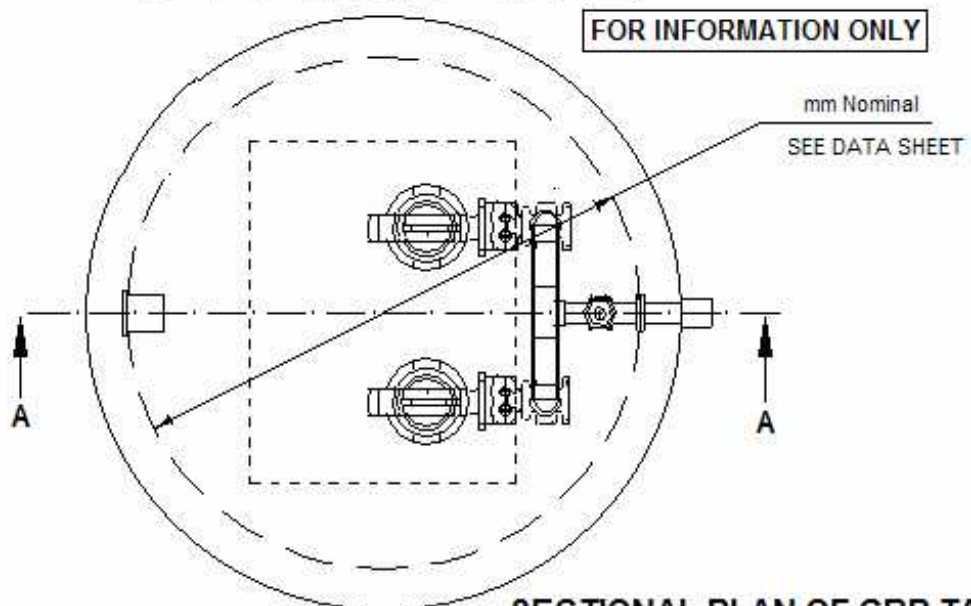
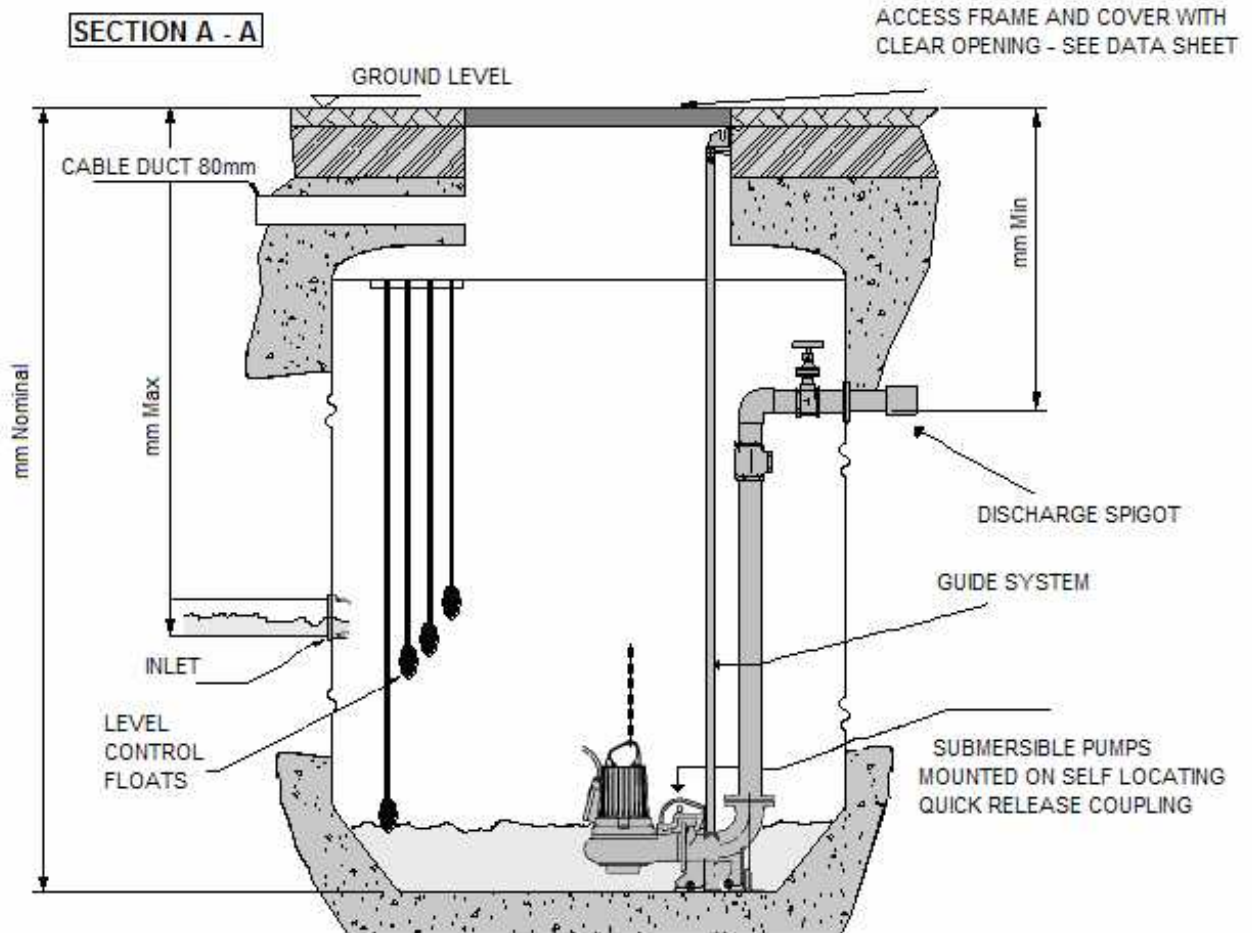


Southern Pump Services

Engineering Limited

Specialist in Foul & Storm Water Pumping Stations
Installation | Maintenance | Service

DUAL PUMP STATION GENERAL ARRANGEMENT DETAILS



SECTIONAL PLAN OF GRP TANK