

# ABS lifting station Nirolift

Synthetic, single pumping station, for the effective dewatering of buildings and areas below the sewer level in accordance with EN 12050-2. Designed as a complete wastewater sump for below-ground installation and for fitting with ABS pumps from the Robusta, Coronada and MF ranges. The Nirolift is suitable only for the pumping of faecal-free effluent.



## Features

- Globular shape for extra strength, with manhole cover featuring floor run-off and option of odour lock with aeration and venting.
- Universally adjustable in height and can be swivelled, thus allowing easy alignment with floor levels and tiling patterns, independent of the inflow or direction of the discharge lines.
- Designed for one KS version ABS pump (Coronada, MF) or for pump with built-in level control (Robusta).
- Two inflow ports DN 100 at 90° offset for DIN push-on connection. One port DN 70 for venting and use as a cable duct (supplied as standard with plug/cable inlet seal). One discharge port DN 40 with 50 mm Plasson adaptor.
- Plastic cover for protection of the floor grating during installation work supplied as standard.
- Suitable for use as a floor drain.
- Maximum allowable temperature of medium 40 °C, short term to 60 °C (max. 5 minutes).



## Materials

Description	Material
Tank	Polyethylene
<b>Robusta</b>	
Pump Housing	PP
Rotor Shaft	Stainless steel 1.4028 (AISI 420)
Impeller	PA
Seals	NBR
Cable	Neoprene
<b>Coronada</b>	
Pump Housing	Stainless steel 1.4301 (AISI 304)
Motor Housing	Stainless steel 1.4301 (AISI 304)
Rotor Shaft	Stainless steel 1.4305 (AISI 303)
Impeller	PPO
Cable	Neoprene
<b>MF</b>	
Upper Lid	Stainless steel 1.4301 (AISI 304)
Motor Housing	Cast iron EN-GJL-250
Rotor Shaft	Stainless steel 1.4021 (AISI 420)
Volute	Cast iron EN-GJL-250
Impeller	Polyamide
Seal	Neoprene
Fasteners	Stainless steel 1.4401 (AISI 316)

## Tank

Synthetic, corrosion-resistant, gas- and odour-tight tank, in accordance with EN 12050-2. Supplied as standard with cover, seals, installation kit and non-return valve. Pump not included.

Capacity: 100 litres

Weight: 11.5 kg (without pump)

## Motor

Water pressure sealed, squirrel cage 2-pole induction motor. Insulation: Class F to 155 °C; Protection type: IP 68

## Pump Types

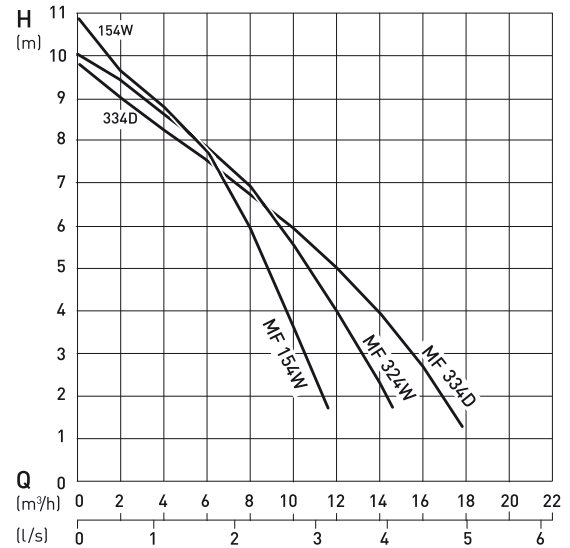
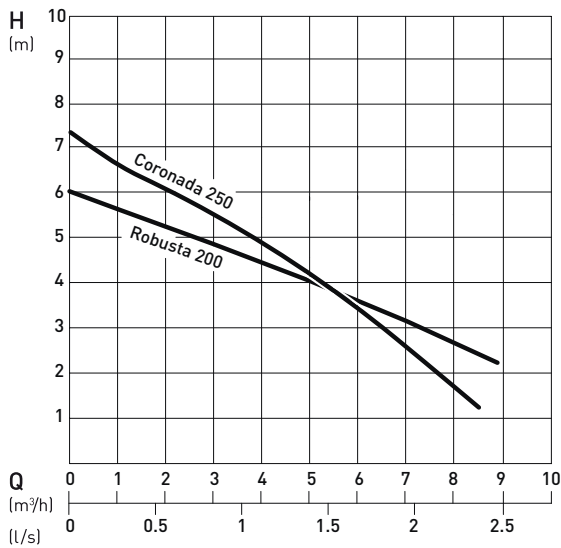
- ABS Robusta light drainage pump 200 WTS, for pumping of ground and rain water, water from hand-basins, and washing machine effluent.
- ABS Coronada light drainage pump 250 WKS. For wastewater (as Robusta above), but suitable also for aggressive ground water thanks to the stainless steel pump housing and a mechanical seal for shaft sealing.
- ABS light wastewater pump MF 154 W to 334 D, for wastewater with large solid particles present. Up to 30 mm solids passage.

## Technical Data

Pump type:	Robusta 200 W/TS	Coronada 250 W/KS	MF 154 W/KS	MF 324 W/KS	MF 334 D/KS
Pump discharge internal thread	G 1¼"	G 1¼"	G 1½"	G 1½"	G 1½"
Solids passage (mm)	10	10	20	30	30
Motor power * (kW): P <sub>1</sub>	0.36	0.50	0.65	0.83	0.83
P <sub>2</sub>	0.16	0.25	0.42	0.54	0.56
Rated current (A)	1.60	1.80	2.80	3.60	1.40
Rated voltage (V)	220-240 1~	220-240 1~	220-240 1~	220-240 1~	400 3~
Speed (r/min)	2900	2900	2900	2900	2900
Cable ** (H07RN-F)	3G 1.0	3G 1.0	3G 1.0	3G 1.0	4G 1.0
Pump weight (kg)	3.8	4.5	9.0	9.0	9.0

\* P<sub>1</sub> = Power at mains, P<sub>2</sub> = Power at motor shaft \*\* 3 m with EURO plug (single phase) or CEE plug (three phase)

## Performance Curves 50 Hz



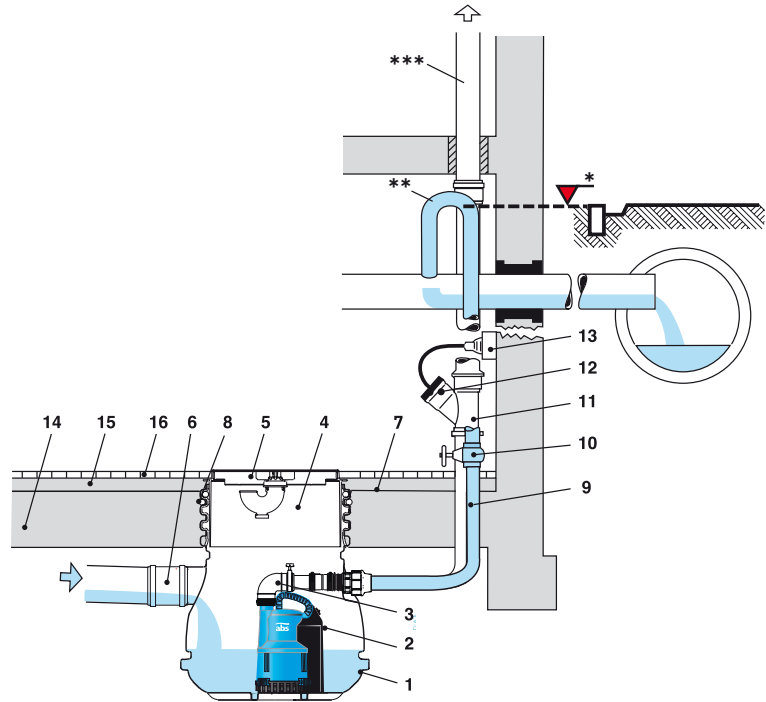
H = Total Head; Q = Discharge Volume  
Curves to ISO 9906

## Installation

Attention to the backwash level is of vital importance for effective dewatering. All outflow points located below the backwash level must be protected against back flow according to standard EN 12056.

## Example

1. Polyethylene tank
2. ABS wastewater pump with TS level-control system
3. Bend with non-return valve
4. Upper fitting
5. Cover plate with floor run-off and odour lock
6. Inflow port
7. Damp-proof course
8. Seal
9. Discharge line
10. Shut-off valve
11. Vent/cable duct DN 70 brought to above roof level
12. Cable inlet, odour tight
13. Earthed socket
14. Concrete
15. Screed
16. Floor tiles

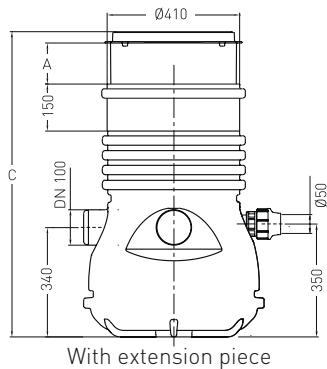
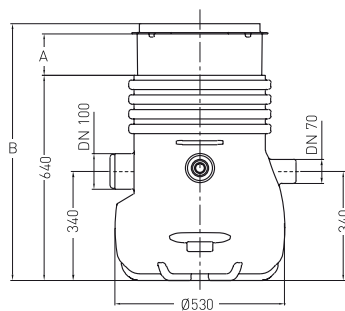


\* Backwash level

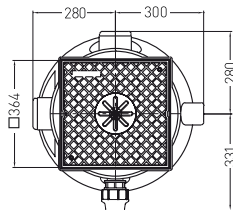
\*\* Backwash loop with base above the backwash level.

\*\*\* External ventilation pipe

## Dimensions (mm)



- A** = 130 max  
**B** = 670 min, 800 max  
**C** = 880 min, 950 max



## Inlet Diameters

Ø	(mm)
DN 70	+0,2 ø75 -1,0
DN 100	+0,3 ø110 -1,0

## Switching (mm) and Volume Levels (L)

Tank / Pump	On	Off	Switching Volume	Residual Volume
Nirolift / Robusta	145	50	20	7
Nirolift / Coronada	280	120	35	20
Nirolift / MF 154-334	290	90	40	15

## Accessories

Description	Part No.
<b>Sump Extension</b> - one only to max. 150 mm may be used	62665196
<b>Odour-lock Kit</b>	62665195
<b>Lid Insert</b> (stainless steel) - closes and seals run-off vent in manhole cover	41025020
<b>Electrical</b>	
<b>Plug-in Alarm Kit NSM05</b> - for connection to 230 V (Euro) socket	62450038
<b>Wall-mount Alarm Kit NSM05</b> - with cable for connection to other socket types ABS alarm and signalling units. Alarm has test button, alarm cancel button, alarm LED, connection for alarm signal, acoustic alarm signal, voltage-free NO (Normally Opened) contact (I max 2 A / V max 25 V) for connection to remote alarm. Rechargeable accumulators for mains-independent alarm signal and alarm signal unit NSM05.	62455012
<b>Plug-in Alarm</b> - as in alarm kit but without NSM05	16020201
<b>Wall-mount Alarm</b> - as in alarm kit but without NSM05	16020203
<b>NSM05 Alarm Signalling Unit</b> (Broken Finger) - with 5 m cable	62665147
<b>Float Switch Level Control:</b> KS 5 = 5 m cable KS 10 = 10 m cable	62450016 62450017
<b>NC-AKKU</b> - 9 V rechargeable battery for mains-independent operation	12820018